

10' x 13' Canopy

**This is a supplement to the 10'x20'
Canopy Instructions**

**The only difference is the one less
section in length**

PARTS

6'6" GALVANIZED PIPE
QUANTITY 12

5'8" GALVANIZED PIPE
QUANTITY 6

3 WAY CORNERS
QUANTITY 6

4 WAY CORNERS
QUANTITY 3

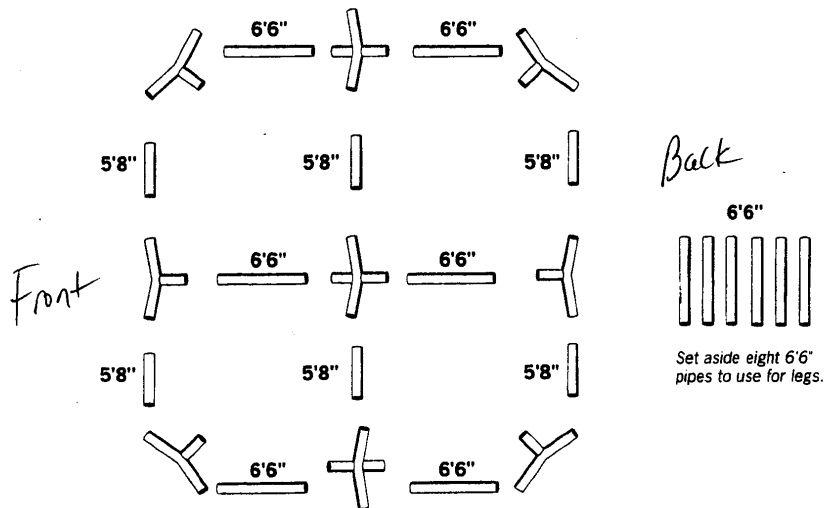
ELASTIC BALL STRAPS
QUANTITY 50

CURTAIN CLIPS
QUANTITY 4

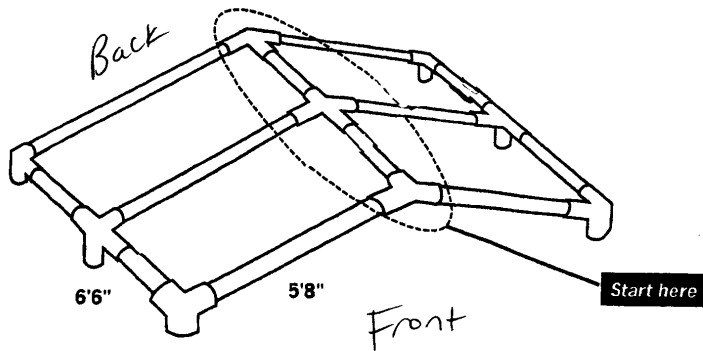
WHITE DRAWSTRING COVER
QUANTITY 1

FRAME ASSEMBLY

- Place all corners and pipes on the ground.
 There are 8 pieces of short pipe used to form the roof rafters.
 The long pipes are used for the legs and to form the length of the frame.



- Connect pipes together starting with the center frame.
 Then assemble each side.

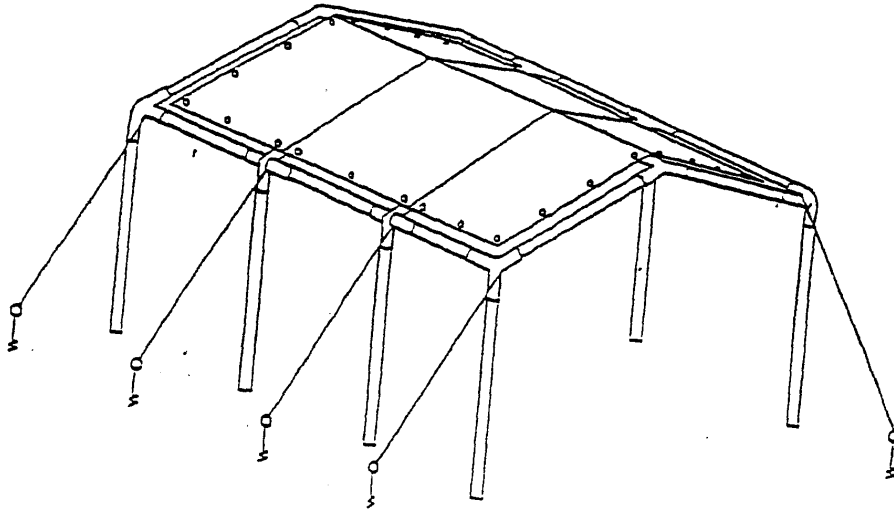


IMPORTANT: PLEASE READ CAREFULLY

The King Canopy is designed for use as a temporary structure that assembles in minutes without tools. After construction, the King Canopy must be securely anchored to prevent damage against winds. This may be done by using ground anchors attached to each leg at the corner and middle braces along the sides. (See drawing)

Because Powell & Powell Supply Co. has no control over wind or snow, we are in no way responsible for damage caused by the canopy or to the canopy. We suggest you contact your insurance carrier for notification just as you would for any other outside structure.

We carry anchor kits that you may order through our company or you may go to your local home improvement center or hardware store or any place sells outside storage buildings. These anchor kits work perfectly for the King Canopy.



Elastic Ball Straps

The elastic ball straps provided are long enough to accommodate various tarp lengths. If your straps are too long for a tight fit they can be shortened by the following steps:

1. Slide the ball upwards to reveal the tied knot.
2. Tie a new knot above the old one. The length taken up here determines how short the strap becomes.
3. Slip the ball down over the new knot.
4. Cut off the excess cord.

Anchoring

The preferred anchoring system uses screw in anchors and rope attached to each leg. Tie the rope around the slip in fitting on the top of each leg. Mobile home anchors will work. We offer anchoring kits consisting of either 4, 6, or 8-15" screw in anchors and length rope needed

If your canopy rests on concrete, we offer canopy feet. These are made of galvanized steel tubing with a galvanized plate welded on the bottom. There are holes drilled into the plate for easier bolting to the concrete. These are available in three lengths; 6" 24" and 60" sizes. When screw in anchor and rope are not used, all legs need to be bolted into the fittings at the top of each leg.

Replacement Parts

Additional tarps are available directly from our factory. Our tarps have been treated to withstand ultra violet rays from the sun for a longer period of time than tarps normally available from hardware stores and home centers. For a complete list refer to last page.

**PLEASE DO NOT RETURN THIS PRODUCT TO PLACE OF PURCHASE.
FOR MISSING PARTS, REPLACEMENT PARTS OR ANY OTHER
PROBLEMS CALL BETWEEN 8:00 A.M. – 5:00 P.M. EST, MONDAY-FRIDAY,
1-800-800-6296 OR 919-552-9708. WE WILL SEND ANY DEFECTIVE PARTS
VIA UPS GROUND!**

ANCHORS NOT INCLUDED

THIS IS THE PROPER WAY TO
ANCHOR THE CANOPY

A6200

Instructions:

Measure out from each leg at least 36".

Screw anchor into the ground. Leave about
2 inches between the ground and the eye of each anchor.

Tie rope around fitting on top of each leg.

Tie other end of rope to the anchor and pull tight.

Screw anchor until the bottom of the eye is flush with the ground.

Powell & Powell Supply Co., Inc.
1206 Broad Street
Fuquay-Varina, NC 27526
(919)552-9708
Fax (919-552-8884)
Toll Free 1-800-800-6296

