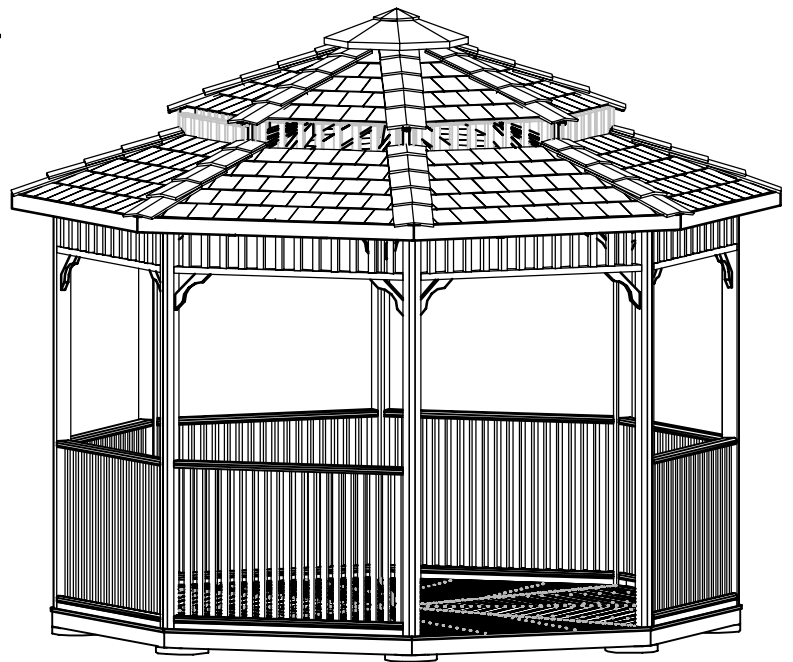


Hexagon



Octagon

Panelized Gazebos

ASSEMBLY MANUAL

Cedarshed Industries (1992) Inc.
9770 - 199A Street
Langley, BC V1M 2X7
Canada

May 22, 2005 Rev. E



PARTS LIST:

| Part Name | Hexgon 8' | Hexgon 10' | Octagon 12' | Octagon 14' |
|---|-----------|---------------|-------------|-------------|
| Rim Joist | 6 | 6 | 8 | 8 |
| Long Floor Joist | 6 | 6 | 8 | 8 |
| Short Floor Joist | 6 | 12 | 16 | 16 |
| Pre-assembled deck Panels | 6 | 12 | 16 | 16 |
| Centre Deck Piece | 1 | 1 | 1 | 1 |
| Floor Core Block | 1 | 1 | 1 | 1 |
| Wall Posts (left/right) | 12 | 12 | 16 | 16 |
| Vertical Post fillets strip | 6 | 6 | 8 | 8 |
| Top Rails | 5 | 5 | 7 | 7 |
| Bottom Rails | 5 | 5 | 7 | 7 |
| Support Blocks | 5 | 5 | 7 | 7 |
| Corner Brackets | 12 | 12 | 16 | 16 |
| Upper Baluster Section | 6 | 6 | 8 | 8 |
| Lower Baluster Section | 5 | 5 | 7 | 7 |
| Headers | 6 | 6 | 8 | 8 |
| Long Rafter | 6 | 6 | 8 | 8 |
| Short Rafter | 12 | 12 | 16 | 16 |
| Roof Panels | 6 | 6 | 8 | 8 |
| Ridge Caps | 3 Bundles | 3-1/2 Bundles | 5 Bundles | 6 Bundles |
| Roof Core Block | 1 | 1 | 1 | 1 |
| Fascia | 6 | 6 | 8 | 8 |
| Gazebo Cap | 1 | 1 | 1 | 1 |
| TWO TIER OPTION | | | | |
| Two Tier Core Block | 1 | 1 | 1 | 1 |
| Pre-Assembled Two Tier Rafters Sections | 6 | 6 | 8 | 8 |
| Two Tier Face Rail Baluster Sets Sections | 6 | 6 | 8 | 8 |
| Pre-Assembled Small Roof Panels (Two Tier option only) | 6 Upper | 6 Upper | 8 Upper | 8 Upper |
| | 6 Lower | 6 Lower | 8 Lower | 8 Lower |
| CUPOLA | | | | |
| Small Cupola Cap | 1 | 1 | 1 | 1 |
| Big Cupola Cap | 1 | 1 | 1 | 1 |
| Cupola Side Panels | 6 | 6 | 8 | 8 |
| BENCH | | | | |
| Bench Seat | - | - | - | - |
| Bench Legs | - | - | - | - |
| 3" Screws | | | | |
| 2" Screws | | | | |
| 2" Box Nail for Ridge Caps | | | | |
| 1 3/4" Finshing Nails | | | | |
| 1" Nails | | | | |

THE PANELIZED GAZEBO

ASSEMBLY INSTRUCTIONS

The following are the main steps in the assembly sequence:

1. JOIST SYSTEM ASSEMBLY
2. FLOOR ASSEMBLY
3. FLOOR DECKING INSTALLATION
4. WALL ASSEMBLY
5. RAFTERS AND OPTIONAL TWO TIER ROOF ASSEMBLY
6. ROOF SHINGLES, CUPOLA AND RIDGE CAPS INSTALLATION

Two people are required although a third person may be helpful particularly when working on the roof and floor structure. Prior to assembling the Panelized Gazebo, carefully read all instructions.

A FEW WORDS ABOUT THE CARE AND COSMETICS OF YOUR PANELIZED CEDAR GAZEBO

Your Cedarshed Panelized Gazebo is made of Western Red Cedar, a beautiful and durable outdoor wood that will enhance your leisure space and enhance your property and provide years of enjoyable use.

Natural, unfinished Western Red Cedar, when exposed to the elements, will weather to a beautiful silvery gray. If you prefer to maintain the natural tones of Western Red Cedar, please ask your Authorized Cedarshed Dealer to recommend a quality stain, which is applied after assembly.

You may also notice occasional coloured chalk or crayon markings on parts of the wood. These markings can be removed with damp cloth or very fine sandpaper.

When we package your Panelized Gazebo for shipping, it is wrapped in an environmentally friendly paper product, and held in place by staples. Be sure that all of the staples are removed - a pair of pliers may be necessary.

Note:

Assembly of the Panelized Gazebo will require the use of power tools. Please take precautions at all times.

The customer agrees to hold Cedarshed Industries (1992) Inc. (Cedarshed) and any of our Authorized Dealers free of liability due to improper installation, maintenance and repair of any Cedarshed products.

Obtaining necessary municipal, county, or state permits is the sole responsibility of the purchaser.

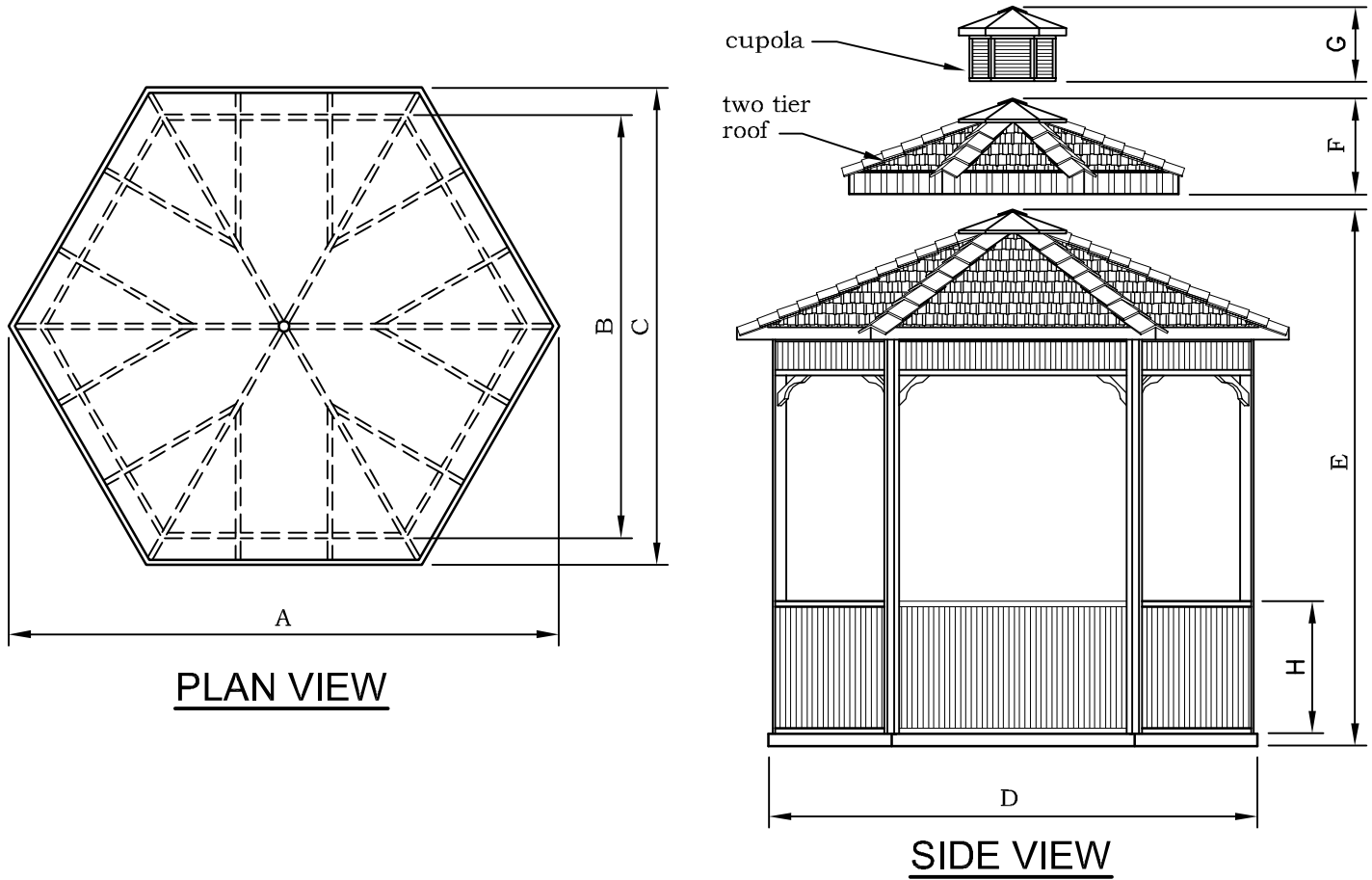
Please see our website at www.cedarshed.com for additional safety points and other considerations to promote safe and enjoyable usage of your new Panelized Gazebo for many years to come.

PARTS LIST:

| Part Name | Hexgon 8' | Hexgon 10' | Octagon 12' | Octagon 14' |
|---|-----------|---------------|-------------|-------------|
| Rim Joist | 6 | 6 | 8 | 8 |
| Long Floor Joist | 6 | 6 | 8 | 8 |
| Short Floor Joist | 6 | 12 | 16 | 16 |
| Pre-assembled deck Panels | 6 | 12 | 16 | 16 |
| Centre Deck Piece | 1 | 1 | 1 | 1 |
| Floor Core Block | 1 | 1 | 1 | 1 |
| Wall Posts (left/right) | 12 | 12 | 16 | 16 |
| Vertical Post fillets strip | 6 | 6 | 8 | 8 |
| Top Rails | 5 | 5 | 7 | 7 |
| Bottom Rails | 5 | 5 | 7 | 7 |
| Support Blocks | 5 | 5 | 7 | 7 |
| Corner Brackets | 12 | 12 | 16 | 16 |
| Upper Baluster Section | 6 | 6 | 8 | 8 |
| Lower Baluster Section | 5 | 5 | 7 | 7 |
| Headers | 6 | 6 | 8 | 8 |
| Long Rafter | 6 | 6 | 8 | 8 |
| Short Rafter | 12 | 12 | 16 | 16 |
| Roof Panels | 6 | 6 | 8 | 8 |
| Ridge Caps | 3 Bundles | 3-1/2 Bundles | 5 Bundles | 6 Bundles |
| Roof Core Block | 1 | 1 | 1 | 1 |
| Fascia | 6 | 6 | 8 | 8 |
| Gazebo Cap | 1 | 1 | 1 | 1 |
| TWO TIER OPTION | | | | |
| Two Tier Core Block | 1 | 1 | 1 | 1 |
| Pre-Assembled Two Tier Rafters Sections | 6 | 6 | 8 | 8 |
| Two Tier Face Rail Baluster Sets Sections | 6 | 6 | 8 | 8 |
| Pre-Assembled Small Roof Panels (Two Tier option only) | 6 Upper | 6 Upper | 8 Upper | 8 Upper |
| | 6 Lower | 6 Lower | 8 Lower | 8 Lower |
| CUPOLA | | | | |
| Small Cupola Cap | 1 | 1 | 1 | 1 |
| Big Cupola Cap | 1 | 1 | 1 | 1 |
| Cupola Side Panels | 6 | 6 | 8 | 8 |
| BENCH | | | | |
| Bench Seat | - | - | - | - |
| Bench Legs | - | - | - | - |
| 3" Screws | | | | |
| 2" Screws | | | | |
| 2" Box Nail for Ridge Caps | | | | |
| 1 3/4" Finshing Nails | | | | |
| 1" Nails | | | | |

PANELIZED HEXAGON GAZEBO SPECIFICATIONS

All Gazebos are constructed of 100% Western Red Cedar.
 All framing components are nominal 2"x4" in size.
 Wall posts consist of 2 - 2"x4" fastened together.



PLAN VIEW

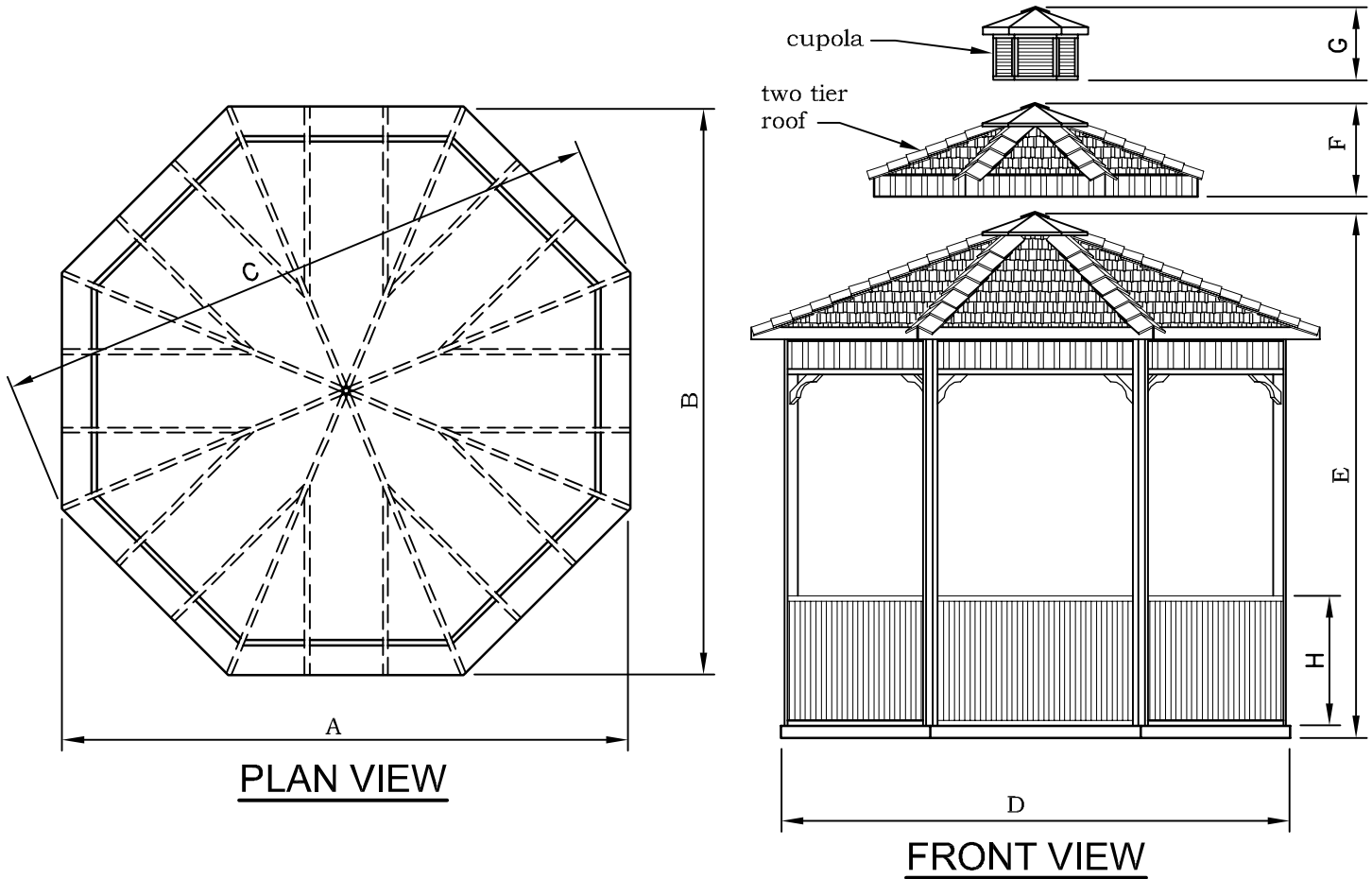
SIDE VIEW

| Measurements For Hexagon Gazebo | | |
|---------------------------------|----------------|-----------------|
| Dimensions (Imperial) | | |
| Size | 8' | 10' |
| Area | 85 Sq. Ft. | 106 Sq. Ft. |
| A | 11'-4" | 12'-10" |
| B | 8'-0" | 9'-10" |
| C | 9'-8" | 11'-1" |
| D | 9'-3" | 11'-4" |
| E | 9'-10" | 10'-4" |
| F | 1'-0" | 1'-0" |
| G | | |
| H | 3'-1" | 3'-1" |
| Door | 4'-2"x6'-1" | 5'-2 1/2"x6'-1" |
| Weight | 1300 lbs | 1700 lbs |
| Precut Package Size | 48"Wx87"Lx30"H | 48"Wx88"Lx33"H |
| Panelized Package Size | 72"Wx87"Lx30"H | 50"Wx87"Lx55"H |

Note - Two tier roof and Cupola are optional

PANELIZED OCTAGON GAZEBO SPECIFICATIONS

All Gazebos are constructed of 100% Western Red Cedar.
 All framing components are nominal 2"x4" in size.
 Wall posts consist of 2 - 2"x4" fastened together.



| Measurements For Octagon Gazebo | | |
|---------------------------------|----------------|-----------------|
| Dimensions (Imperial) | | |
| Size | 12' | 14' |
| Inside Area | 120 Sq. Ft. | 154 Sq. Ft. |
| A | 13'-6" | 15'-7" |
| B | 12'-1" | 14'-0" |
| C | 15'-0" | 16'-10" |
| D | 13'-0" | 15'-1" |
| E | 10'-8" | 9'-10" |
| F | 1'-0" | 1'-0" |
| G | 1'-0" | 1'-0" |
| H | 3'-1" | 3'-1" |
| Door | 4'-7"x6'-1" | 5'-4"x6'-1" |
| Weight | 2200 lbs | 2400 lbs |
| Precut Package Size | 48"Wx88"Lx45"H | 48"Wx105"Lx45"H |
| Panelized Package Size | 72"Wx87"Lx50"H | 87"Wx105"Lx45"H |

Note - Two tier roof and Cupola are optional

TOOLS REQUIRED

Hammer
Electric power drill(s) or cordless drill(s) (with extra batteries) with appropriate screw bits
3' Carpenter's level
Measuring tape
Garden shovel (for site work)
Skill saw
Pencil
8' ft. step ladder
Landscaping tools

Note:

Assembly of the Panelized Gazebo will require the use of power tools. Please consider safety precautions at all times.

To confirm you have received all parts, sort pieces according to list below. Call or e-mail us immediately if you are missing any parts and we will courier the missing part(s) immediately, free of charge.

Toll Free Customer Support Line: 1-800-830-8033.

E-mail: Sales@cedarshed.com

If you plan on assembling a Cedarshed product over the course of several days, please cover any pieces to keep them sheltered from the elements.

Not included in kit:

- Patio slabs for a level and secure foundation
- Deck stain
- Foundation anchorage

1. Joist System Assembly

- It is recommended that the construction of the Gazebo be done on leveled foundation and in its final sitting location. It is extremely important to level the floor assembly; otherwise you will encounter difficulties later when trying to install the wall posts and roof systems if the floor is not properly leveled.
- Place the 8 rim joists for the Octagon and 6 rim joists for the Hexagon as shown in Figure S1. Fasten them together using 3-3" long screws per joint.

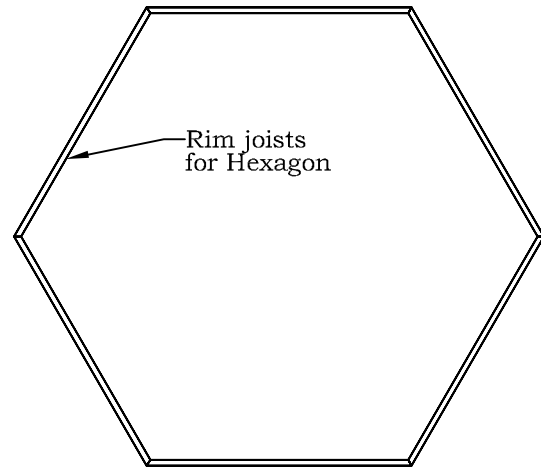
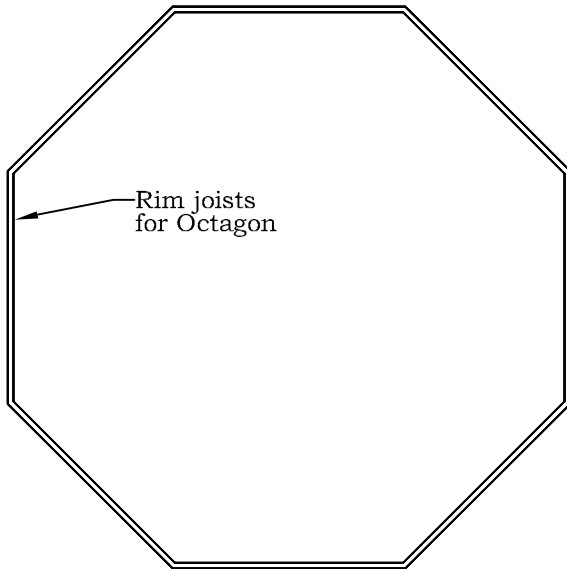


FIGURE S1

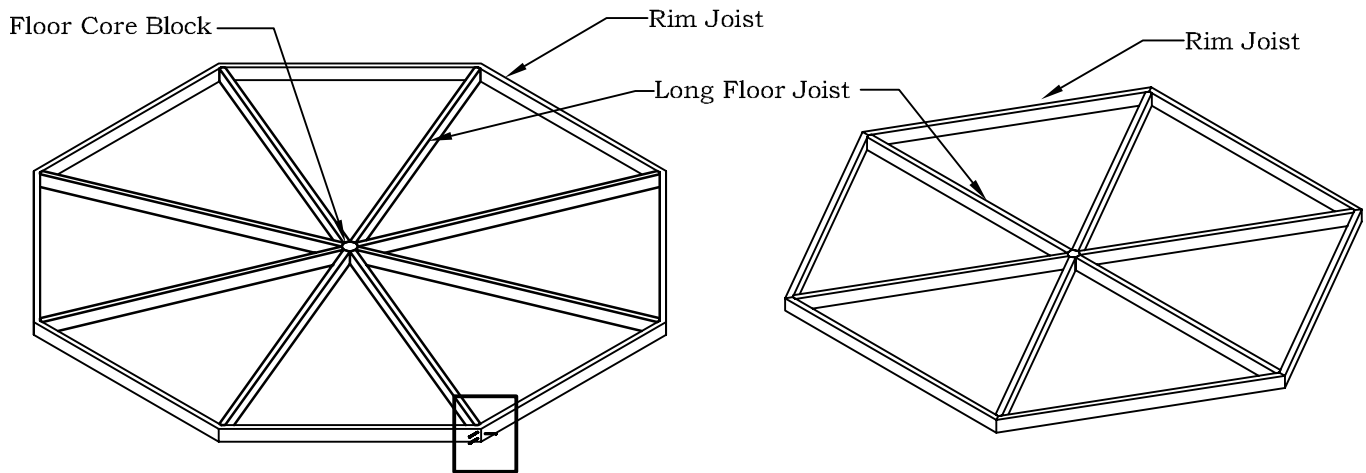
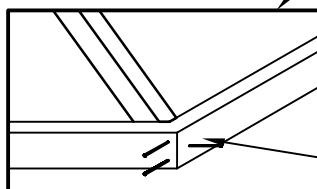
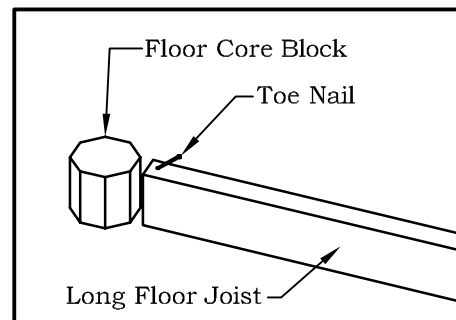


FIGURE S2



Using 3-3" long screws secure the rim joists together at each corner



- Screw the all the short joists into place as per Figure S3. Each short floor joist should be at the right angles to the adjoining rim joists.

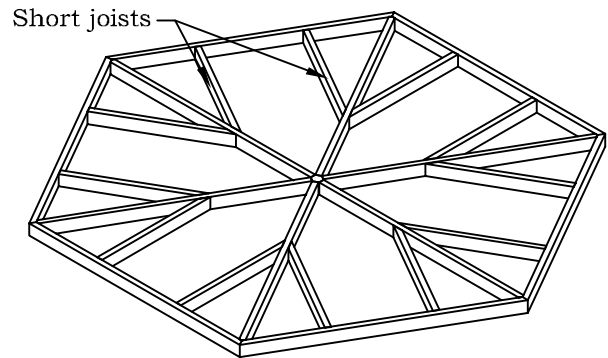
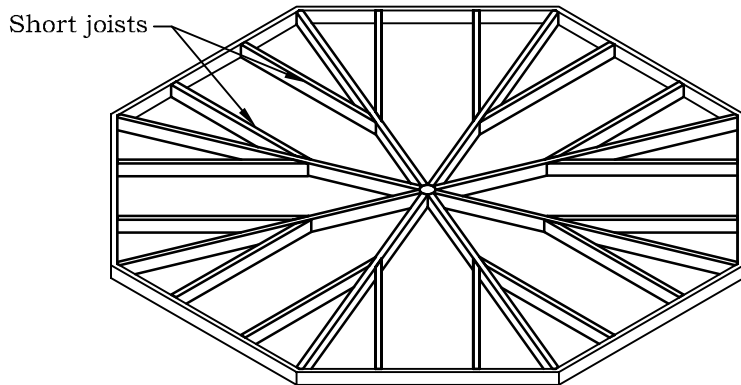


FIGURE S3

2. Floor Assembly

- Take the two inch thick concrete blocks and place them under foundation bearing points as outlined in Figure S4. There are 17 blocks for the Octagon and 13 for Hexagon.
- Take small pieces of shims and place them under the bearing points to help level the floor assembly. To make this exercise a bit simpler, it is recommended that the outside bearing points be leveled first.

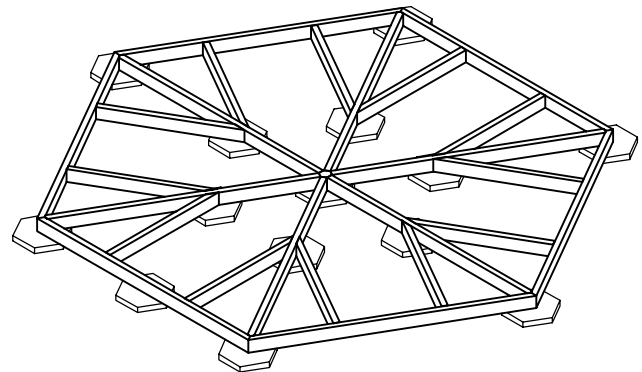
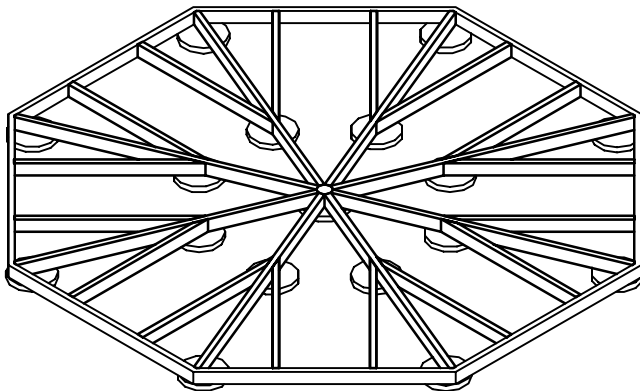


FIGURE S4

- Place the completed floor assembly onto slabs so that patio slabs do not extend too far beyond the edge of the Gazebo. Visit our website at WWW.CEDARSHED.COM for details on the type of foundation you may wish to use.

3. Floor Decking Installation

- There are 2 deck panels per pie section as shown in Figure S5. each is numbered and must be installed as per Figure S6.

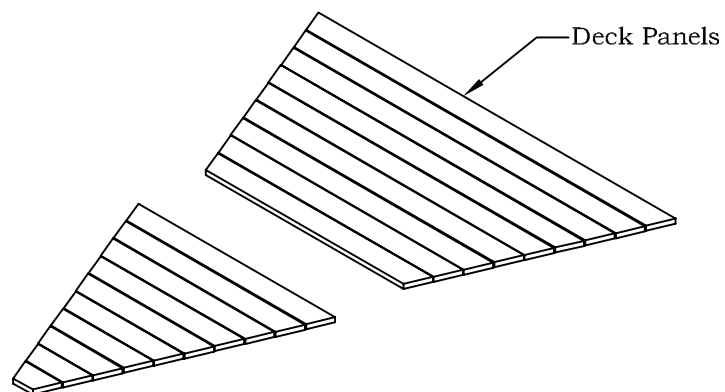


FIGURE S5

- Secure the Deck to the Joists by placing one 3" Screw at each end of each piece (going into the joists). Finish all remaining Deck Panels in the same fashion. Leave $\frac{1}{2}$ " overhang around the edge of the floor joists.

- Complete the Decking by securing the Centre Deck piece using three 3" screws.

NOTE - 8' Hexagon come with one panel per floor section.

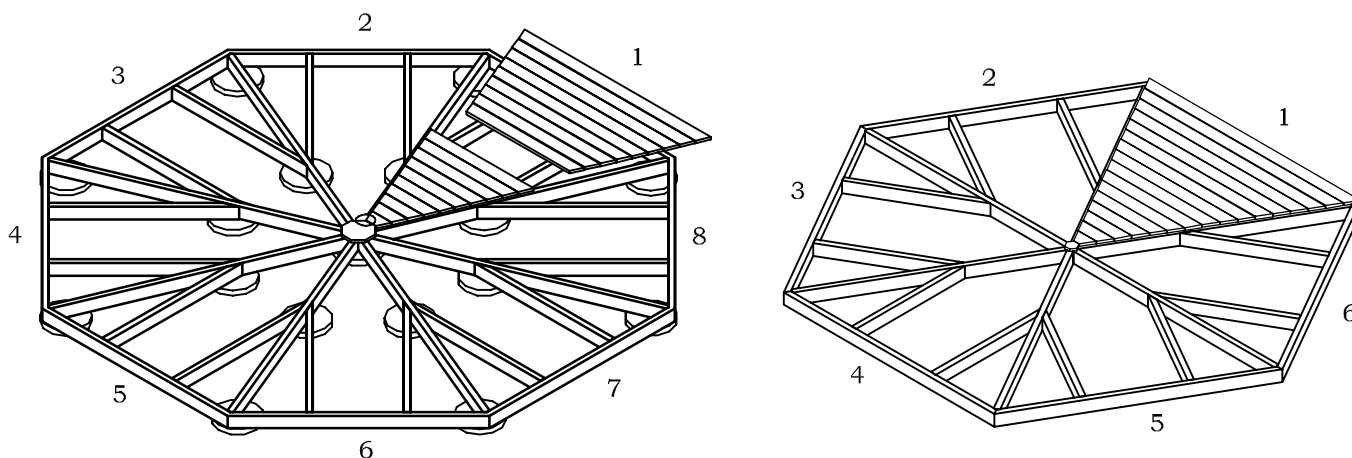


FIGURE S6

- Continue Installing the next Deck Panel until entire floor assembly is complete.

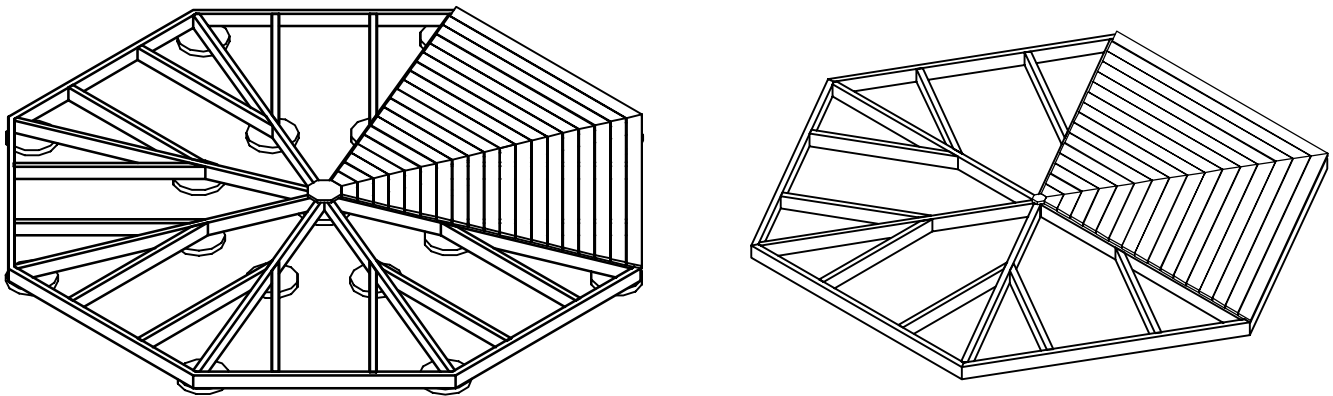


FIGURE S7

- Figure S8 Illustrates finished Floor Decking for both the Octagon and Hexagon Gazebos.

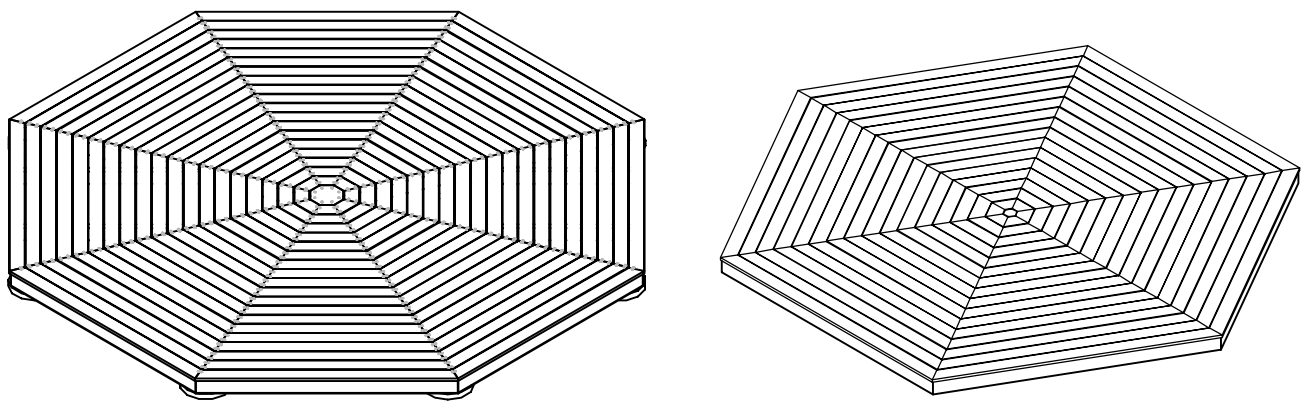


FIGURE S8

- Sidewall sections are attached to the Left and Right Posts.

1. The left posts are beveled on the different sides. See Figure S10. Make pairs of posts, flat sides together, beveled sides out. Select the two most attractive posts for either side of the entrance. The bottom of each Post is rectangular shape, the top is notched.

2. Using a Rail support block as a template, mark the bottom of left Posts and right Posts. The mark should be made on the flat sides of the post - not the beveled sides. See Figure S11. This mark will be used when mounting the bottom rail.

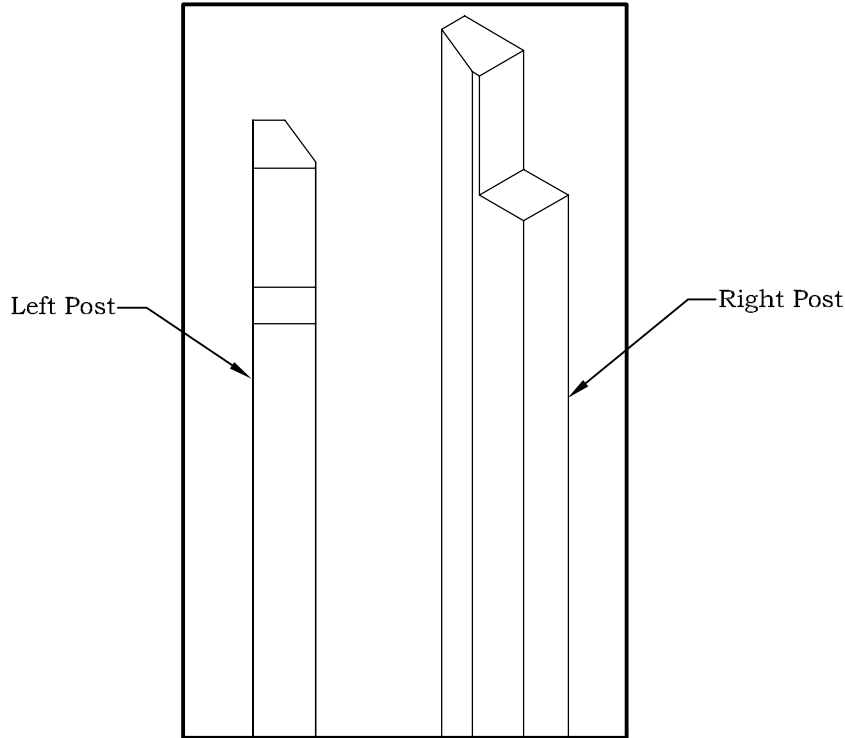


FIGURE S10

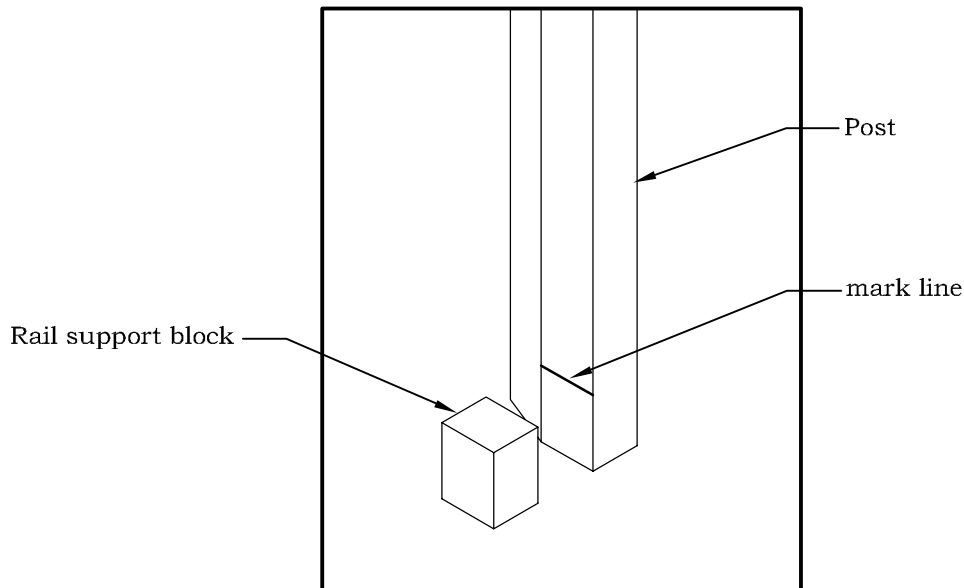


FIGURE S11

4. Wall Assembly

- Figure S9 illustrates the completed wall section. Wall assembly can be divided into two stages. First, the posts are attached to the pre-assembled Rail units. Second, the completed posts and rail sections are erected and mounted on the Deck assembly.

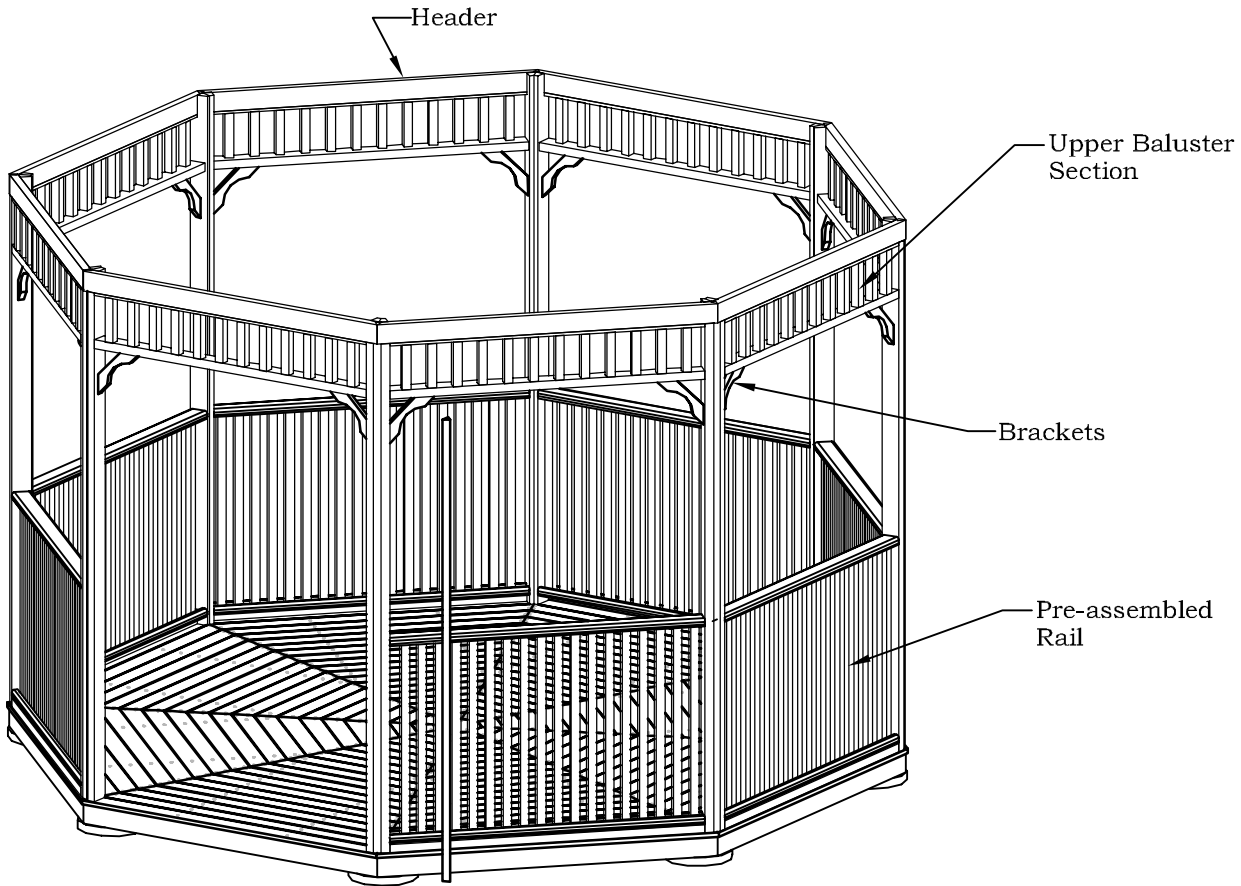


FIGURE S9

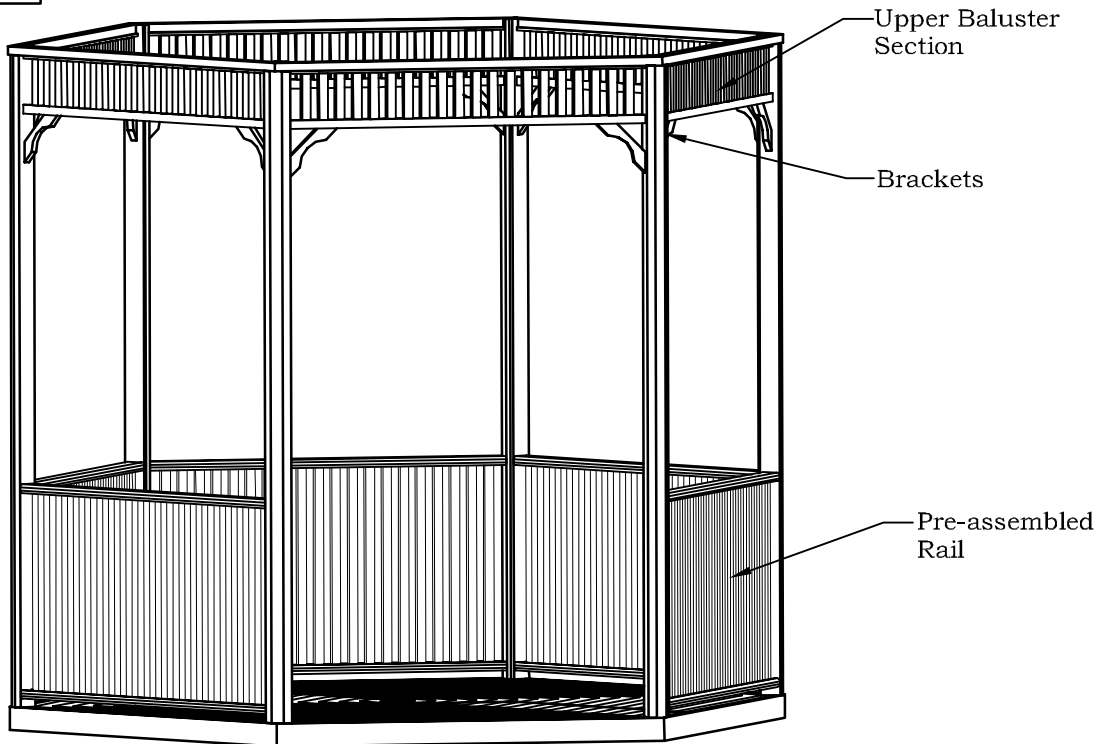


FIGURE S9A

● Positioning the handrail slot onto the fillet and secure it in place. Next place the Bottom Rail onto the Bottom fillet. See Figure S12 for an illustration of a pre-assembled Side Rail unit. Place posts on either side of the Bottom Rail. The flat side of the Post butts up against the Bottom Rail and the beveled side faces out. Align the Bottom Rail on the previously marked Rail support line. Screw both Posts to the Bottom and Top Rail using two 3" screws. See Figure S13.

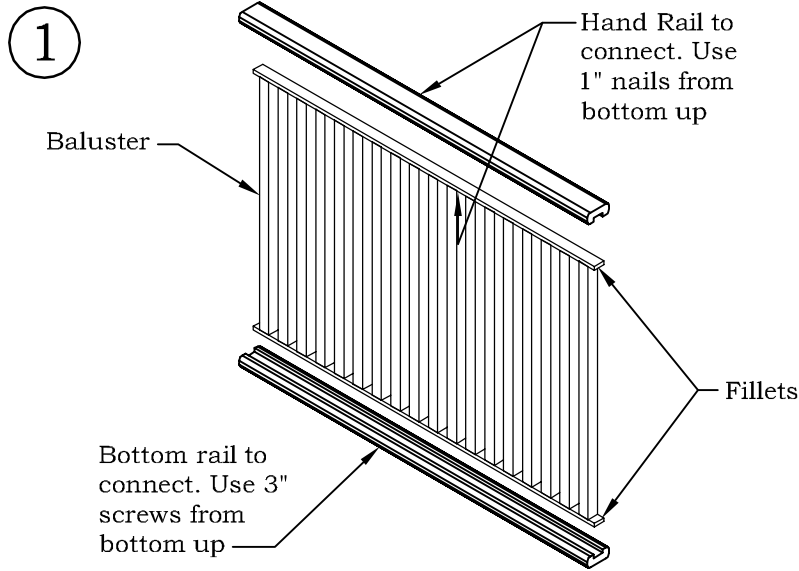


FIGURE S12

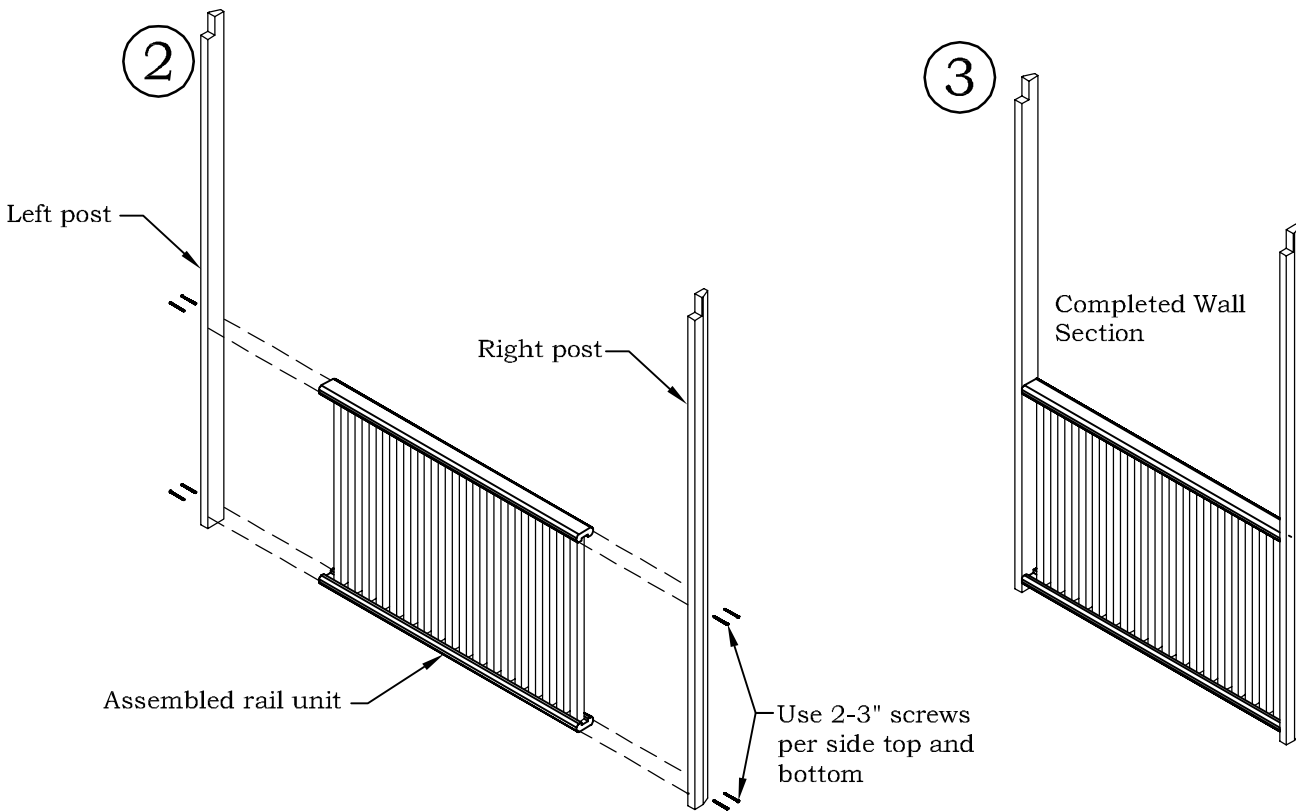


FIGURE S13

- Starting on one side of the doorway (which was designated earlier and has a concrete block under the rim joist), and working around the gazebo towards the other side of the doorway, erect the completed Wall Sections.
- You'll need two step ladders; if you choose, you may use a hand drill with a $\frac{1}{8}$ " bit to pre-drill some screw holes.
- Erect the wall section (beside the doorway) on the completed decking. The beveled edges of the Posts will sit exactly over the seam between the decking pieces. The outside edge of the Deck. See Figure W1. The bevel should line up with the seam between the pieces of the decking.

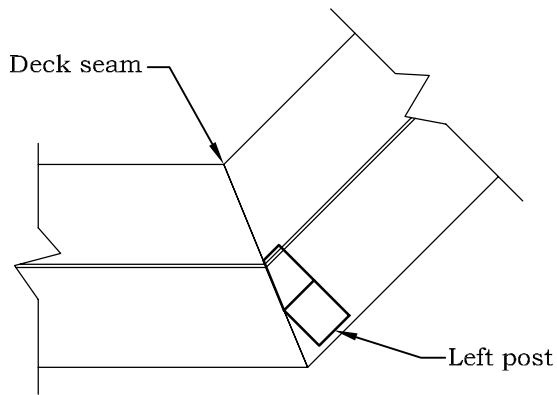


FIGURE W1

- Erect a second wall section beside the first (but not on the Doorway side). The Beveled edges of the two adjoining posts should be touching each other. Using 3" screws, fasten one post to the adjoining post. See Figure W2. Use about 10 screws per pair of posts. Be sure to screw from both sides of the posts. Also be sure that you angle the screws so that they enter the heart (the area where the two beveled sides abut) of the posts, and do not show in the angled space between the posts. See Figure W2. Make sure that the notch is facing toward the outside.

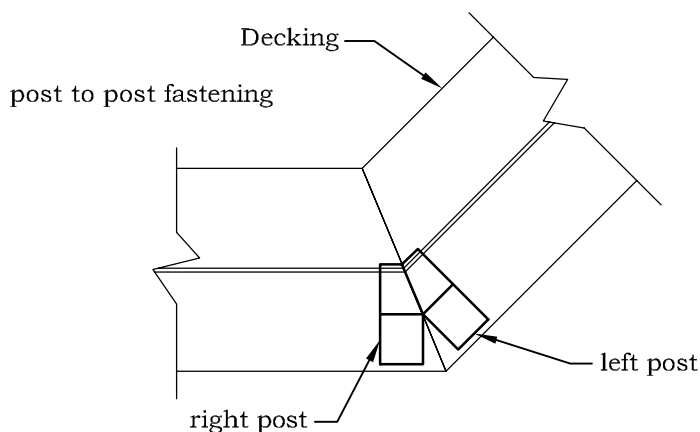
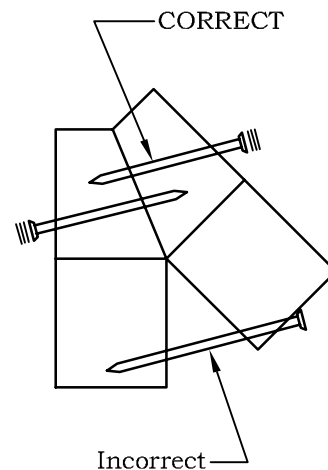


FIGURE W2



- Follow the above procedure until all wall sections are in place.
- Using 3" screw, fasten the two remaining posts to the wall sections adjacent to the doorway.
- Check the positioning of all posts. They should sit about $\frac{1}{2}$ " back from the outside edge of the deck. When all posts are in the correct position (posts should line up on the seam), use 3" screws to fasten the posts to decking. See Figure W3 for the screw pattern. Screws are toe nailed on a 45 degree angle. It is helpful to pre-drill holes, using an $\frac{1}{8}$ " bit, for these toe nailed screws.

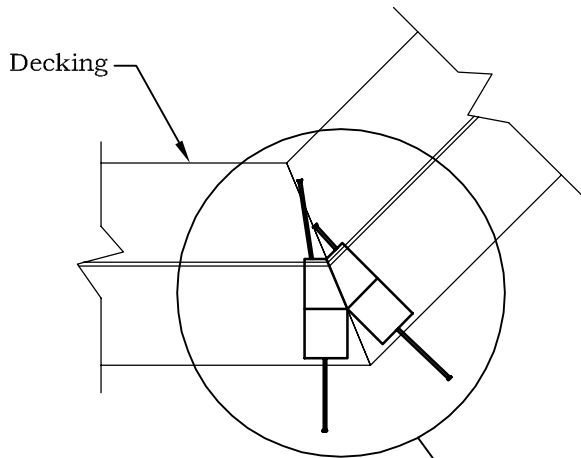
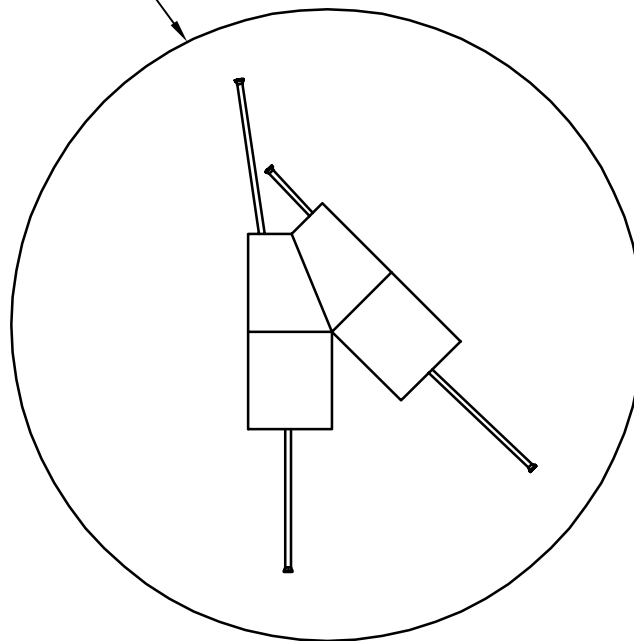


FIGURE W3



- Place a rail support block beneath the mid-point of each rail, see Figure W4. Screw two 3" nails from the bottom rail into the block. This will support your Sidewall section better.

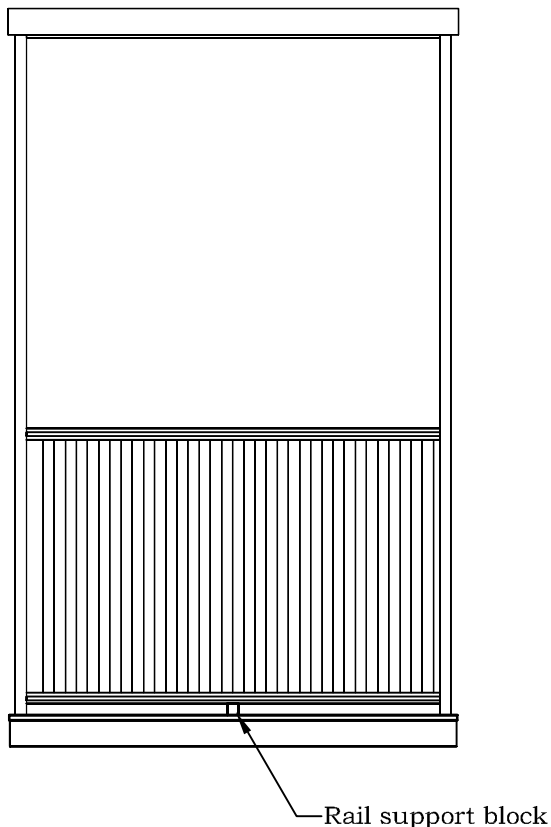


FIGURE W4

- The 2x4 Headers are used to tie the tops of the wall sections together. Starting over the doorway, use two 3" screw pattern. It is helpful to start the screws in the Headers on the ground, before you climb the ladder. Be careful not to let header fall (for safety, have a helper hold the Headers while you fasten them together).

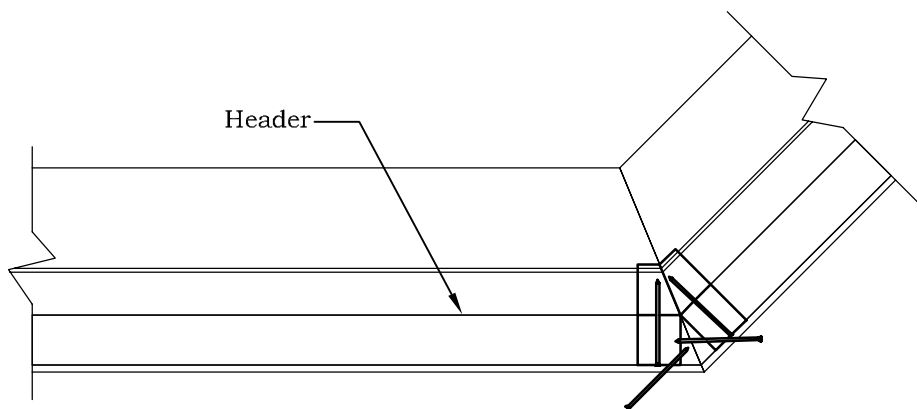


FIGURE W5

- When all of the headers are joined together, line-up the joint of the first pair headers with the center of the post, and using the two 3" screws previously started in the Header, fasten it to the post. Continue until all headers are fastened to posts.

- Place the upper baluster units so that they fit snug up against the Headers and the posts. You will need to use two 2" screws to fasten the 1 x 2 into the header, and two 3" screws to attach the 2 x 2 into the posts. See Figure W6.
- When all of the upper Baluster units are place, attach all corner brackets using 3" screws. See Figure W6 for screw pattern. To prevent splitting the Corner Brackets, we recommend pre-drilling screw holes using a $\frac{1}{8}$ " bit. Also, before attaching the Corner Brackets, use a carpenter's level. If they are not square, have your helper assist you square up the posts by gently pushing them square while you insert the screws.
- Install six 1 x 3 vertical Fascia strip on posts. Secure these pieces using 2" finishing nails as illustrated in Figure W7.

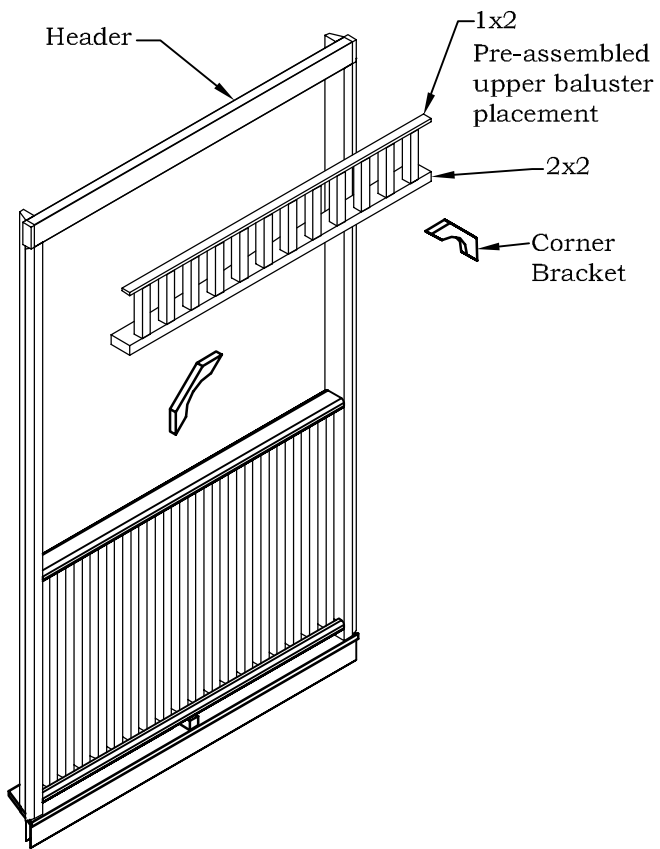


FIGURE W6

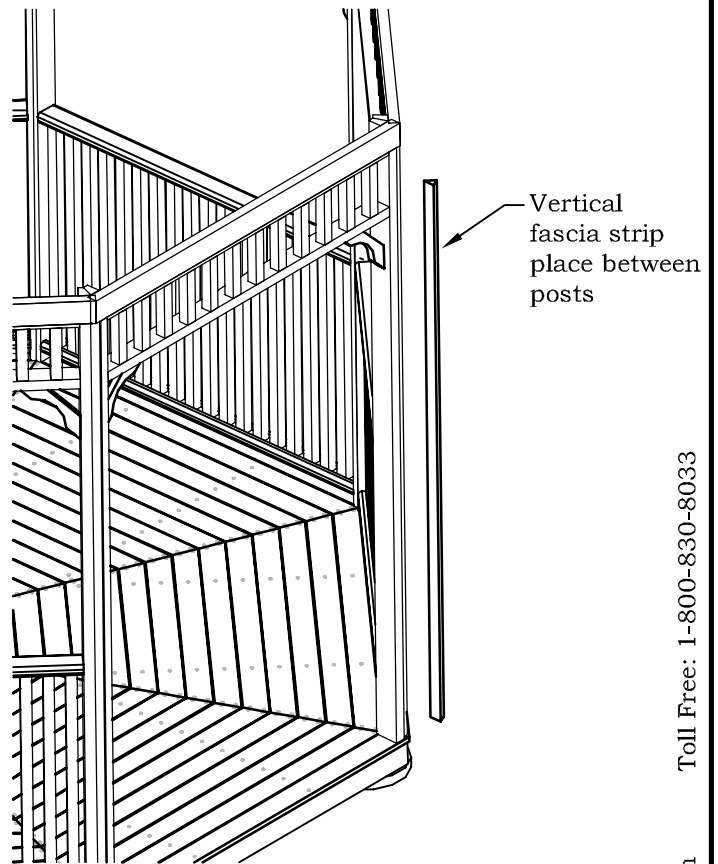


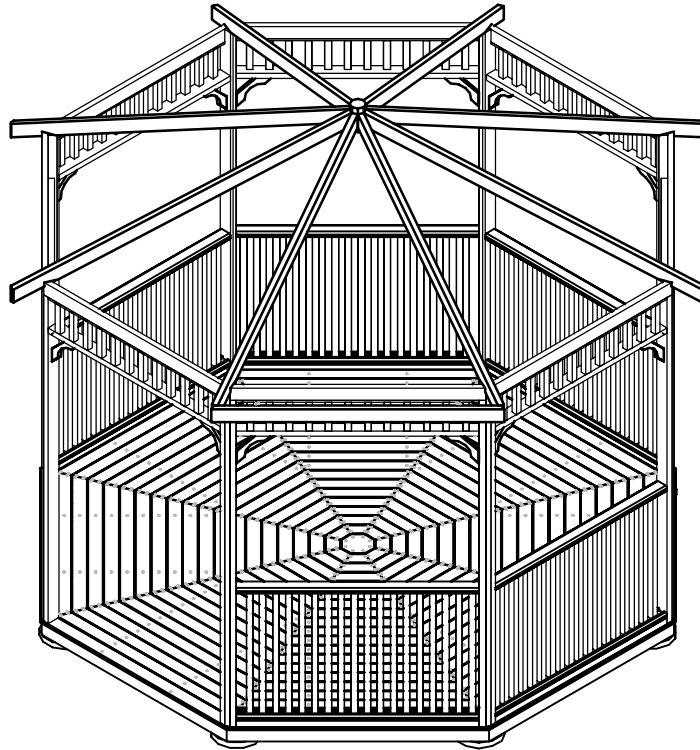
FIGURE W7

RAFTER ASSEMBLY

The Rafters use similar but not identical design as the Floor Joists system.

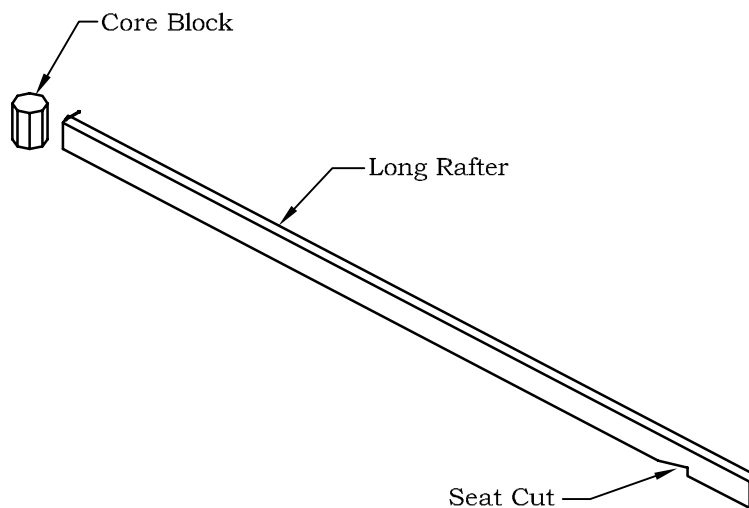
You will require help of another person or sometime of two people while working on the Rafters and Roof assembly. You'll also need a 6' Step Ladder and a 8' Step Ladder.

- While on the ground, fasten the Roof Core Block to Long Roof Rafter. The seat cut on the Long Roof Rafter will fit over the Header, so be sure that the seat cut is facing down. The opposite end of the Long Roof Rafter will be fastened to the Roof Core Block. Using a 3" screw, toenail the Long Roof Rafter to Roof Core Block. It is helpful if you pre-drill holes using a $\frac{1}{8}$ " bit. Be sure the top of the Roof Core Block and Long Roof Rafter are flush.



- A helper is necessary at this point. Have your helper climb a 8' step ladder in the middle of the Gazebo Deck. The helper will hold the Long Roof Rafters and toenail a 3" screw into the Core Block. Place the seat cut of the Long Roof Rafter flush over joint formed by two Headers. Once the seat cut is flush, you can tack the Long Roof Rafter to the Headers using a 3" screw at an angle. To avoid splitting the Long Rafters at the seat cut, you may wish to pre-drill screw holes at a 45 degree angle.

FIGURE S15



- To determine the positioning of the short roof rafters; temporarily fix the fascia board onto the long rafters and hold the short rafters in place and slide them up and down until they are flush with the fascia boards. Using two 3" screws, toenail the Short Rafter to the adjoining Long Rafters. Using two 3" screws fasten the Short Rafters in place.

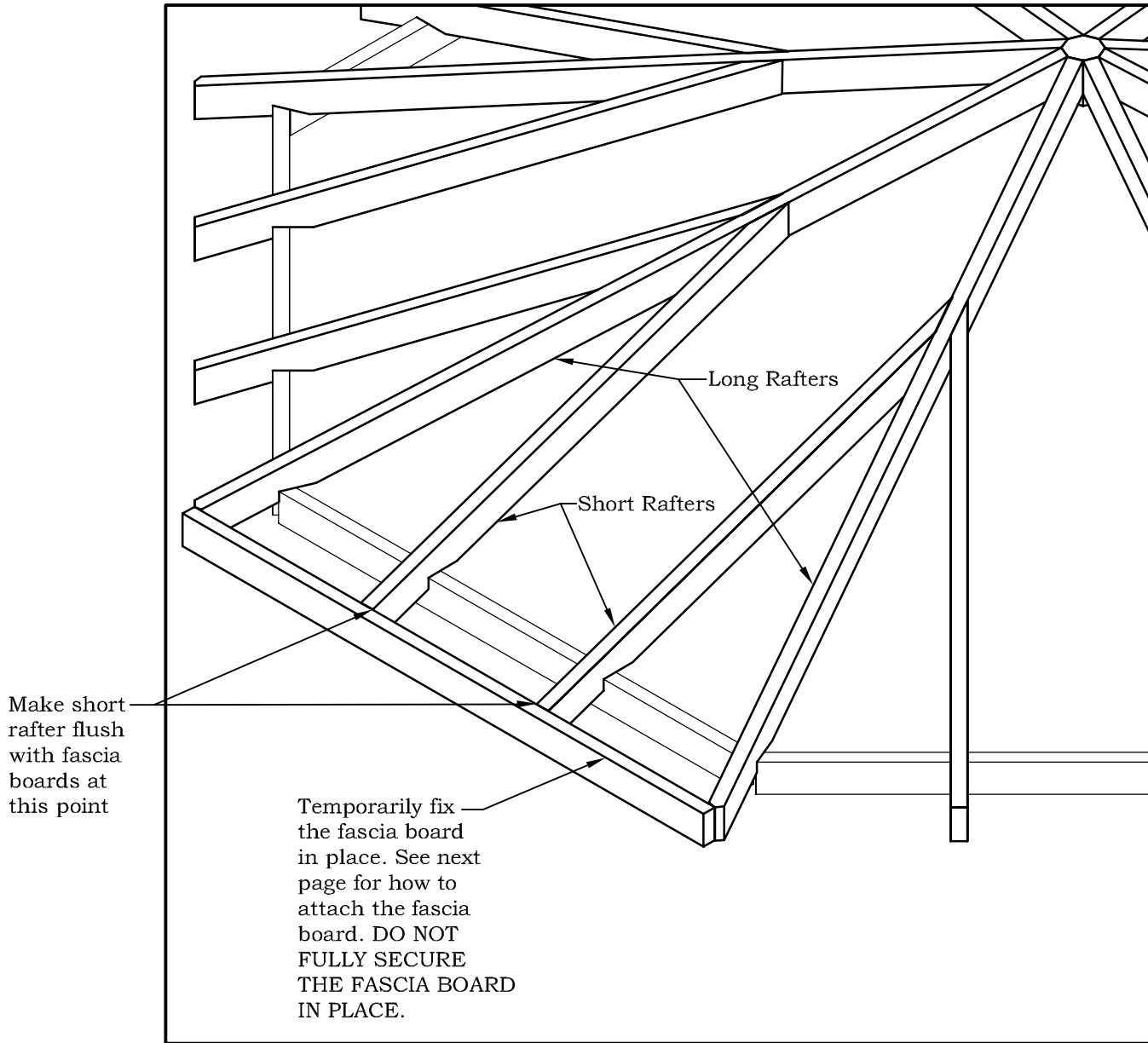


FIGURE S16

- Attach the Fascia before securing Roof Joists to the Header to ensure that the Roof lines up.
- The 1"x4" Fascia Boards run horizontally from one Long Rafter to the next. Have your helper hold one end of the Fascia Board. Then, using two 2" finishing nails, attach the other end of the Fascia Board to Long Rafter. Be sure that the end of the Fascia Board is flush with the "V" of the Long Rafter. Adjust, if necessary, the position of the Long Rafter so that the end of the Fascia Board is flush with "V" of the Long Rafter. Moving around the gazebo, complete all Fascia boards in the same fashion.
- Using two 2" finishing nails, attach the Fascia Boards to the end of the Short Rafter. Continue installing all Fascia Boards in place around the Gazebo until all are installed.

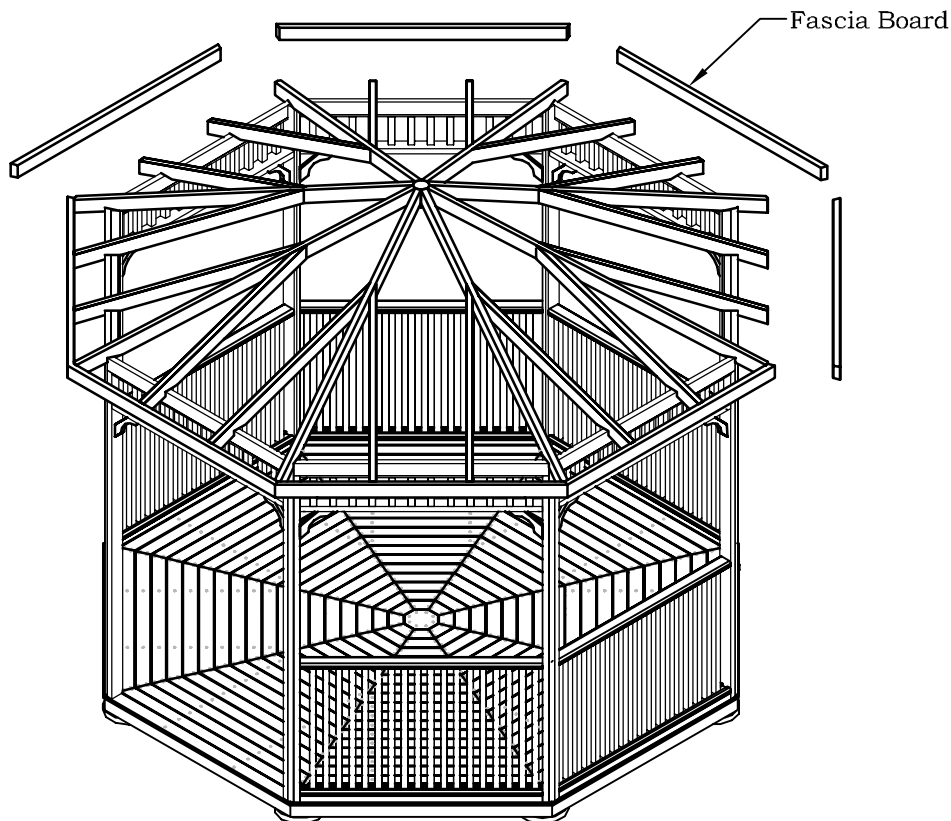


FIGURE S18

TWO TIER ROOF ASSEMBLY OPTION

- The TWO TIER Rafter section will be assembled at this point. Toenail the Long Core Block the one of the Two Tier Rafter sections making sure that the Core Block is flush with the top of the Top Rafter. See Figure S19.

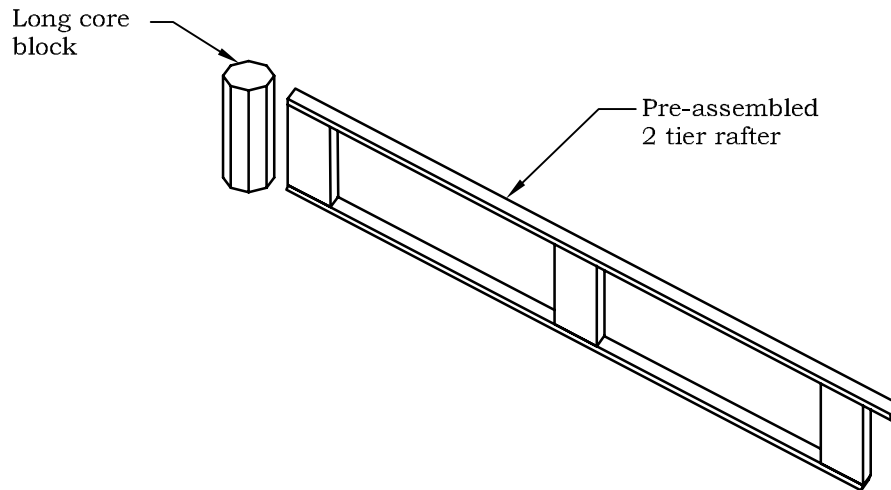


FIGURE S19

- Using your stepladder attach the Two Tier Rafter section on the Long Rafter by screwing right through the Bottom Rafter onto the Long Rafter. Use three 3" screws for this step. Take the remaining 5 Two Tier Rafter sections and systematically attach each to a Long Roof Rafter and the Long Core Block. The Long core block will sit directly over the top of the Short Core Block. See Figure S20.

Mounting the Face Rails:

- Insert the Face Rails from above so that each Face Rail is Flush with the front of the Two Tier Rafter Supports. Using two 2" screws attach each Rail Support Post to the Two Tier Rafter Supports. See Figure S20 for details. Also, insert a screw through the Long Support Post into the Long Rafter.

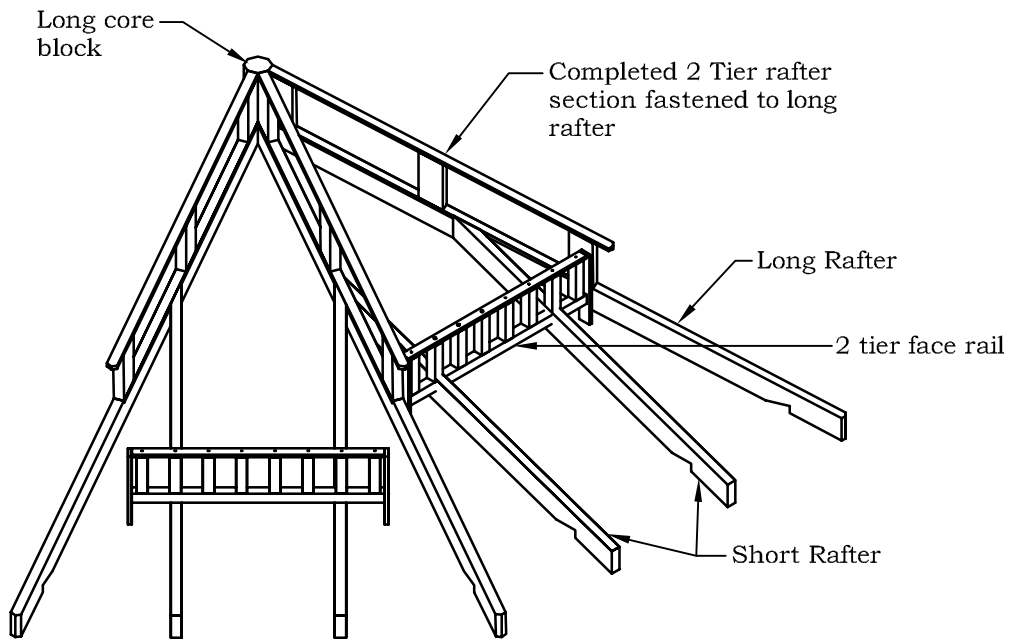


FIGURE S20

● Figure S21 illustrates the completed Two Tier roof assembly.

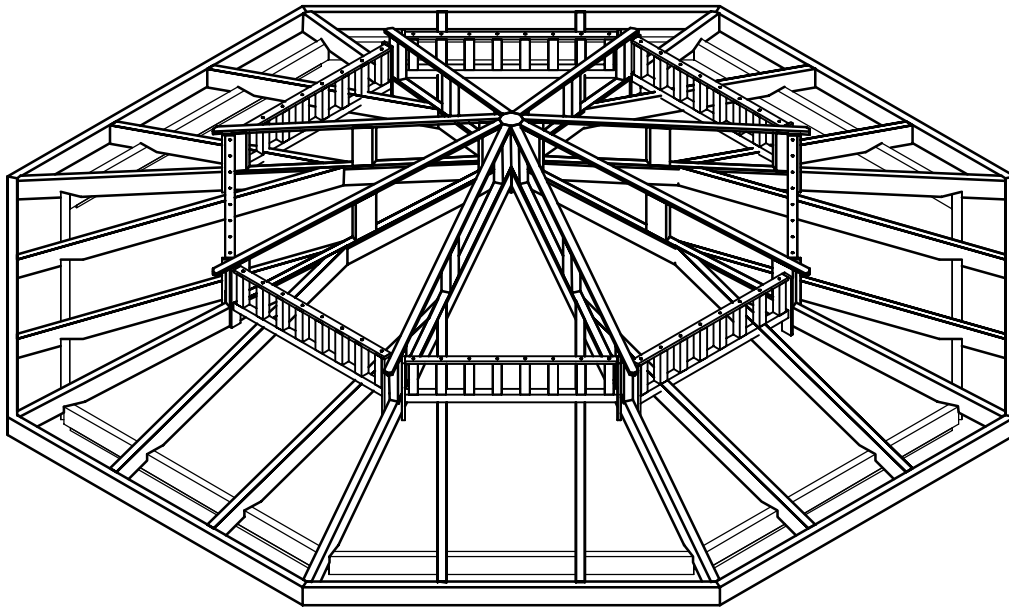


FIGURE S21

ROOF ASSEMBLY

- The pre-assembled Roof Panels have been completed for your convenience. Place them clock-wise on top of the Roof Rafter Assembly. See Figure S22. If you have a Two Tier Roof you will be required to place 12 panels down for Hexagon and 16 panels down for Octagon. Start with the lower sections first. See Figure S23.

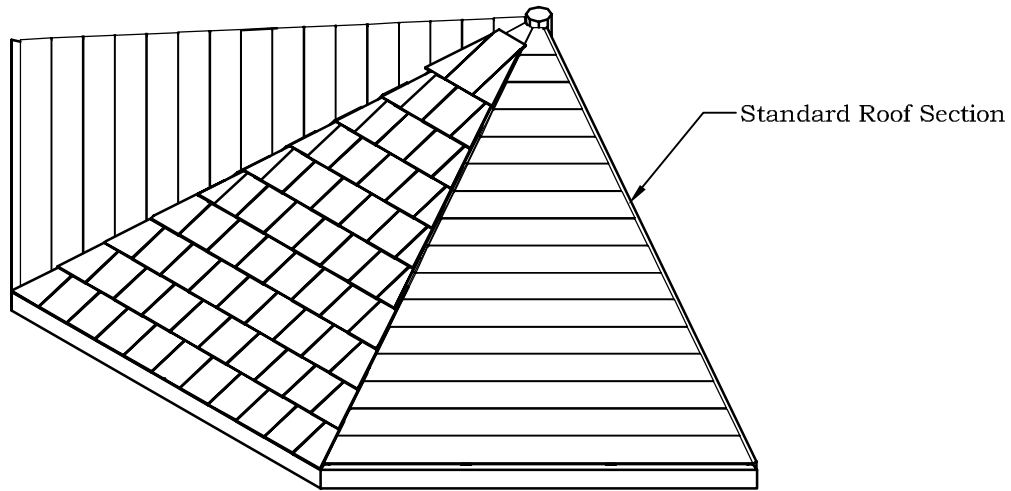


FIGURE S22

- Securing the Roof to the Rafters; From inside the Gazebo, screw the Roof Panels to the Long Roof Rafter, Using 3" long screws. The screw will go from the 1x2 member of the Roof panel into the Long Roof Rafter at an angle. Please use 4 screws per panel. Continue to complete all remaining sections.

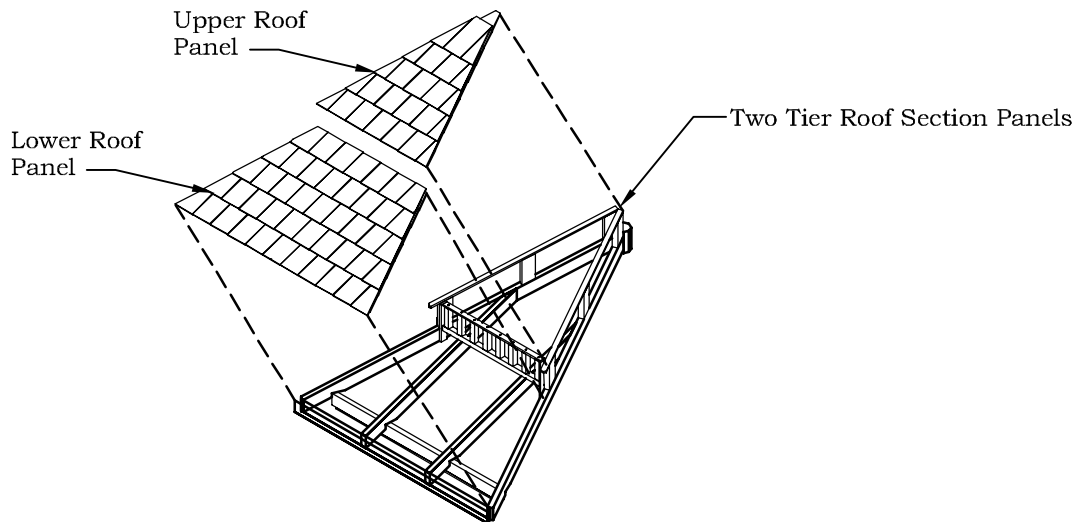


FIGURE S23

- The Hexgon Gazebo comes with 5 Benches and Octagon comes with 7. Each Bench has two legs. Attach both sets of legs to the Bench seat using 3" screws. See Figure S24.
- The back of each bench has a notch which will fit against the gazebo Post. Position each bench and screw in two places: fasten the legs into the Deck, and fasten the Balusters into Bench seat.

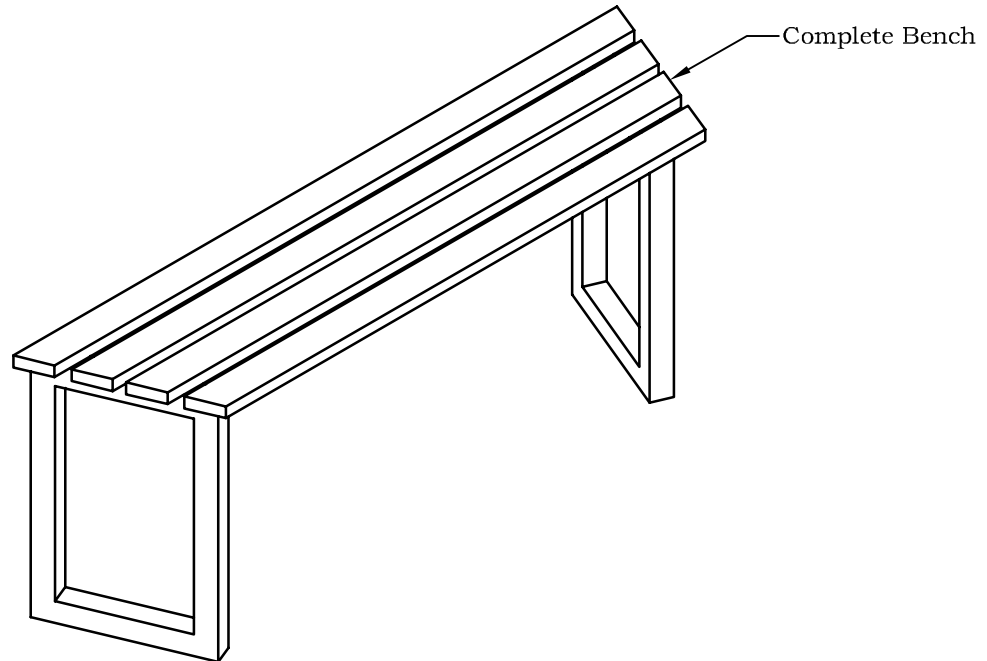


FIGURE S24

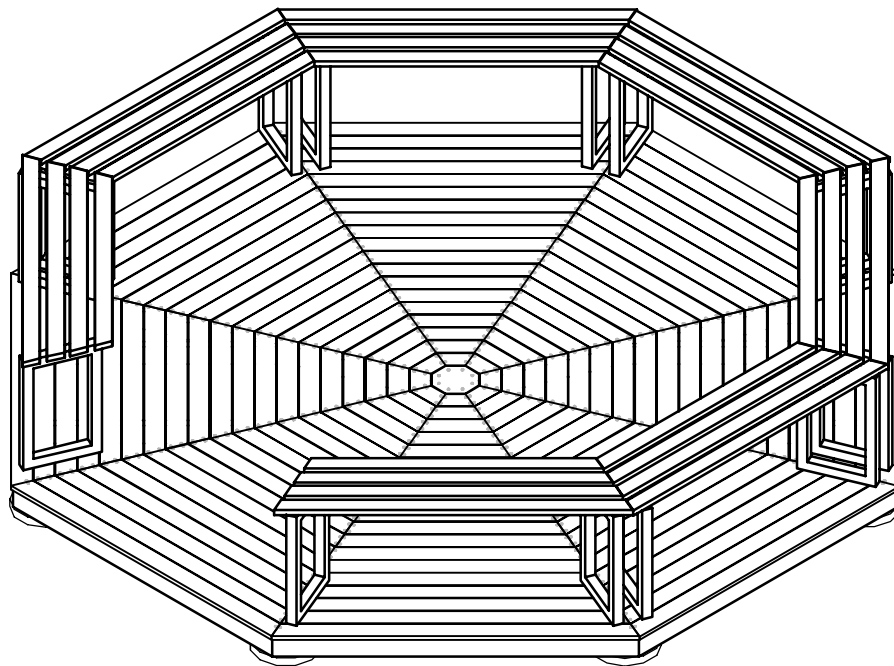


FIGURE S25

RIDGE CAP INSTALLATION

- The Ridge Caps are placed over the Long Roof Rafters and cover the seam between any two Roof Panels. See Figure S26. Note that the Ridge Caps are installed from the bottom up. Place the first Ridge Cap with the bottom edge $\frac{1}{2}$ " beyond the outside edge of the Shingles. Using 2" roofing nails, fasten the Ridge Cap to the Shingles.
- The second row of Ridge Caps is placed so that the bottom edge overhangs the bottom edge of the first course by $\frac{1}{2}$ ". Place nails $8\frac{1}{2}$ " from the bottom edge of the Ridge Cap.
- Install the third and subsequent courses $7\frac{1}{2}$ " higher than the preceding course. Use the bottom edges of the shingles as your guide. Remember to place nails $8\frac{1}{2}$ " from the bottom edge of the Ridge Cap.
- Proceed until you are approximately 1 foot from the Roof Peak. The Cupola will be fitted at this point.
- If you chose the Two Tier Roof option, it will also be necessary to cut the Ridge Caps as you approach the Face Rail Plate that extends from the first tier to the second tier.

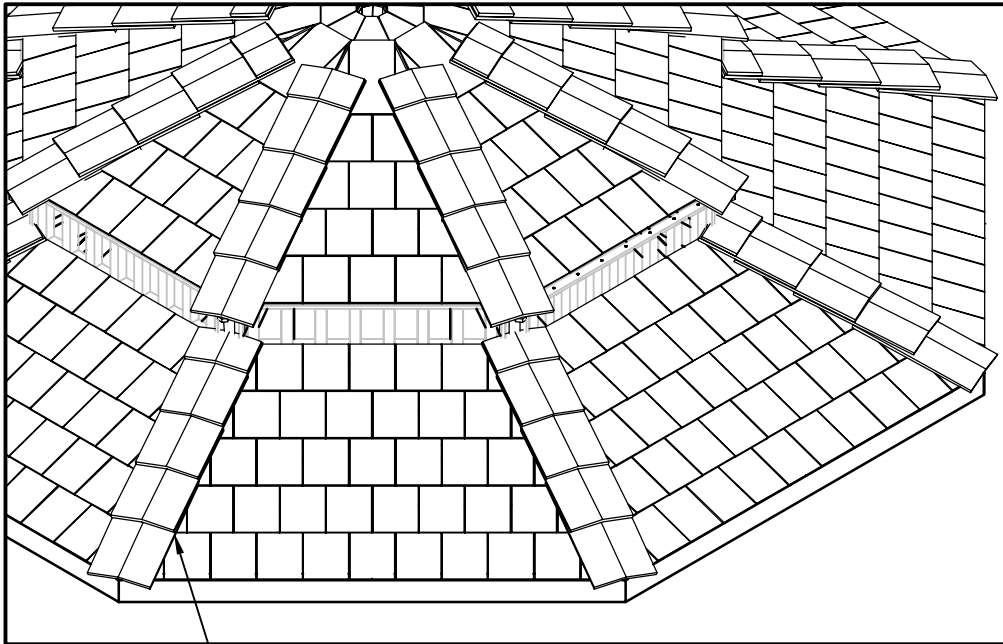


FIGURE S26

Match Ridge caps with seams of the roof

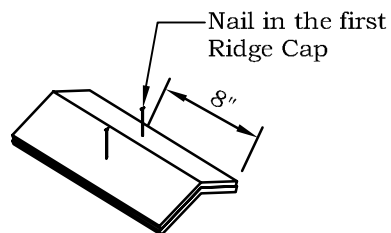


FIGURE S27

CUPOLA INSTALLATION

- The Cupola has been partially pre-assembled. You can assemble it on the ground, and then place it in position on the Roof when completed.
- Fasten the beveled sidewall pieces together. Place the Roof on and secure it using two 3" screws per side.
- When all six sides are completed place the large Cap on the top of the gazebo. Be certain to level the Cap. Secure the Cap using three 3" screws. Screw from the top down into the Sidewall pieces.
- Secure the small Cap to the large cap using three 3" screws.
- To mount the Cupola on Roof peak, remember to line up the Cupola posts with the Roof Seams. The bottoms of the Cupola Walls have been beveled to seat properly on the Roof. See Figure S28.
- Continue with the Ridge caps to complete the Roof. Trim the last one or two to fit snug up against the Cupola. Use an exacto knife to trim that last Ridge Cap.

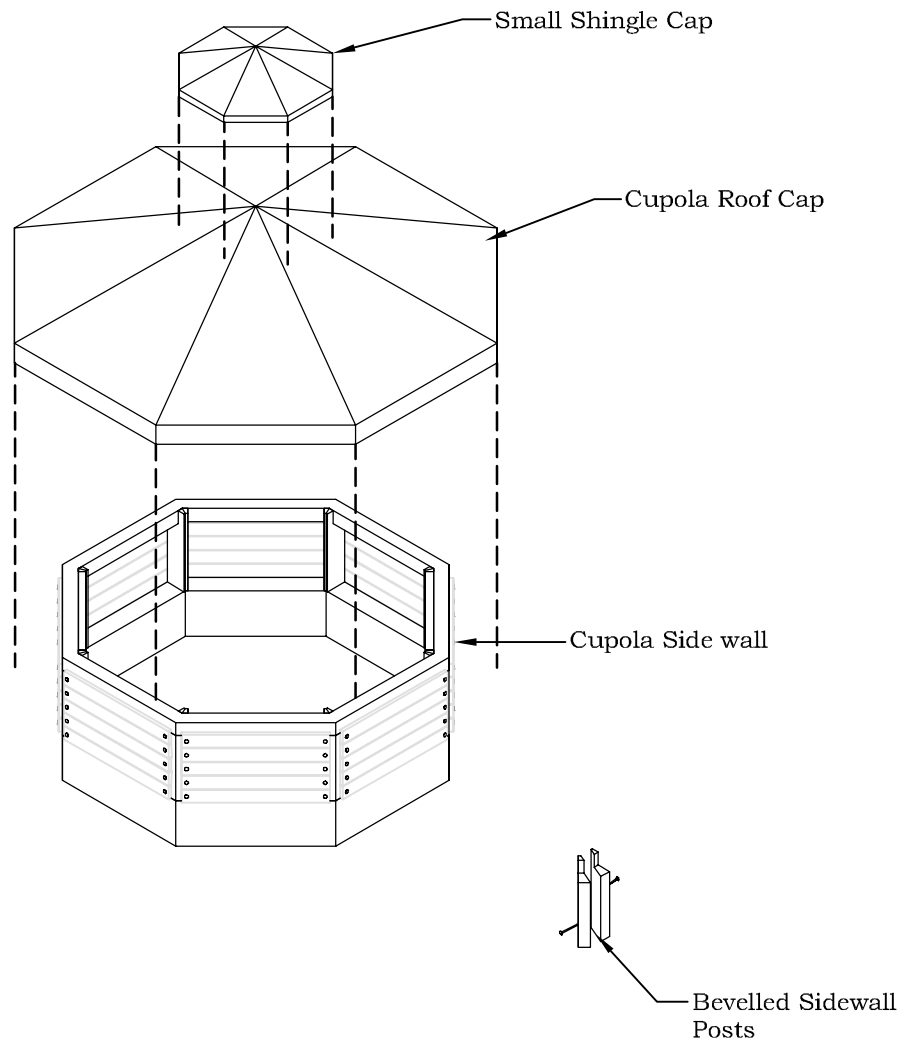


FIGURE S28

CONGRATULATIONS!

You have successfully completed the assembly of your Cedarshed Panelized Gazebo. We hope that your entire experience was a rewarding one and we hope you and your family will enjoy our product for years to come.

Call Cedarshed if you require additional information.

TOLL FREE CUSTOMER SUPPORT: 1 800 830 8033

Mailing address:

In Canada:
Cedarshed Industries (1992) Inc.
9770 - 199A Street
Langley, BC V1M 2X7
Canada

In USA:
Cedarshed Industries (1992) Inc.
P.O. Box 2189
Blaine, WA 98231
USA

